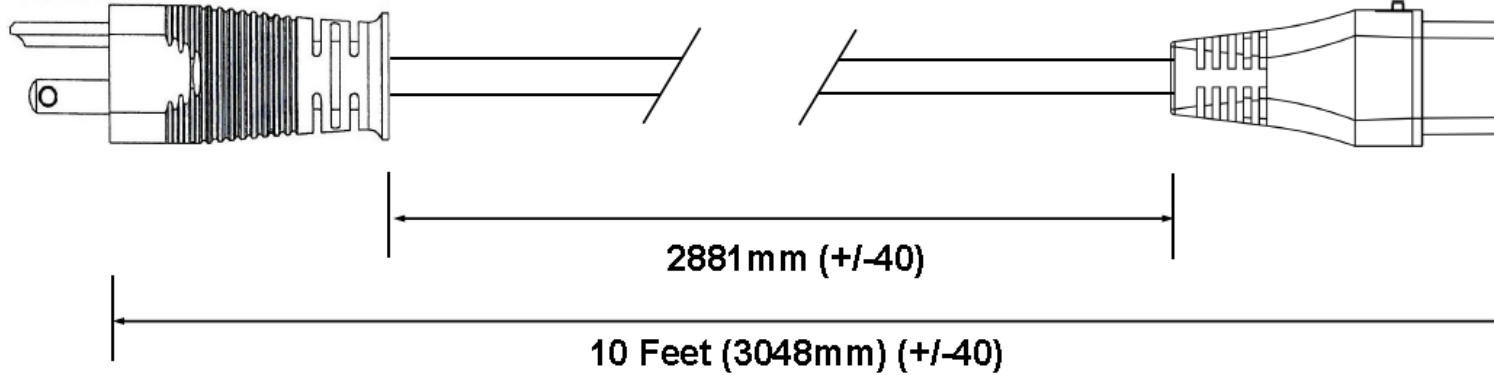


● Green Dot - Hospital Grade Plug



MEGA Reserves the right to alter Non-Critical dimensions without notice:

Packaging: Coil and twist tie

Notes:

1. Plug: NEMA 5/15 Hospital Grade Black
2. Cordage: SJT3x14AWG 60C
3. Connector: EN60320 C19 Locking Black
4. Approvals: UL, cUL
5. Rating: 15A/125V
6. Color: Black
7. Color coding: Black, white, green

A	Drawing Release	9/6/2024
REV	Description	Date



4B Jules Lane
New Brunswick, NJ 08901
Tel. 732-249-2656
www.megaelectronics.com

Proprietary Notice:

This document is the property of MEGA Electronics, Inc. The information contained herein is not to be disclosed to anyone without the express written consent of MEGA Electronics.

Customer P/N
Rev.

RoHS Compliant

Item Description: Detachable Hospital Grade Cord 15A/125V N5/15-C19Lock/3m

Approved: GF

Drawn By: DM

Date: 9/6/2024

Part Number: 458-M167L