



■ **Features:**

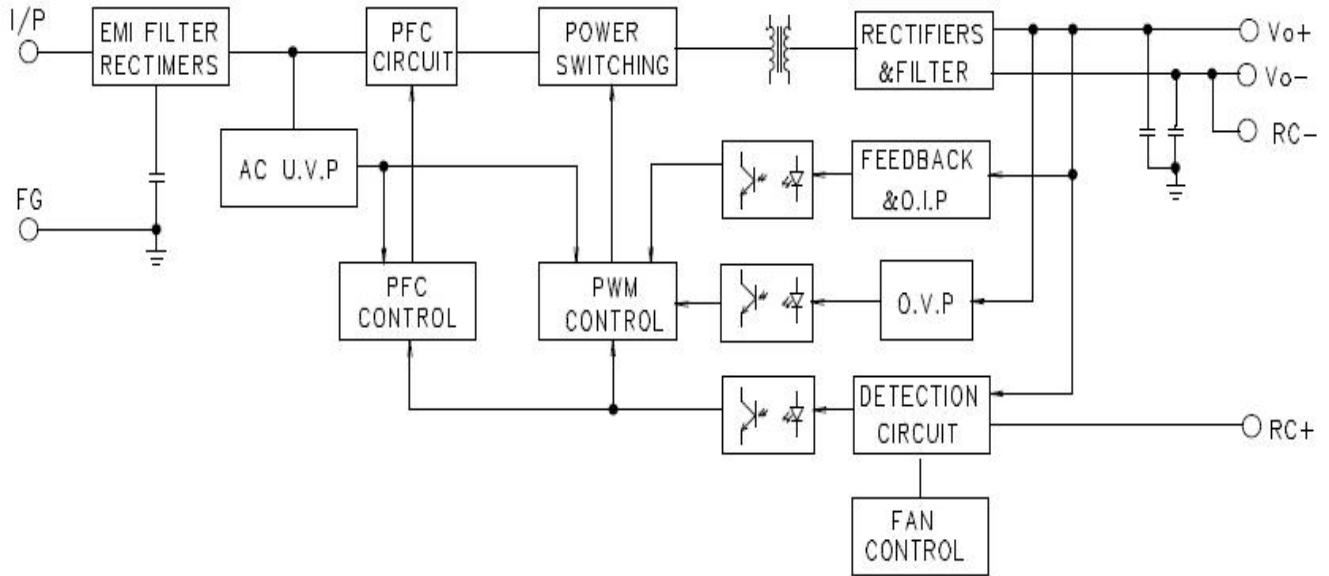
- Universal AC input/ Full range
- Built-in active PFC function, PF>0.95
- Output protections: OLP/OVP/OTP/SCP
- Wide operating temperature: -20~70C
- Built-in constant current limiting circuit
- All using 105°C long life electrolytic capacitors.
- Build-in remote sense function
- Build-in remote ON-OFF control
- 3 years warranty

**SPECIFICATION**

MODEL		MFGKF-600-24	MFGKF-600-36	MFGKF-600-48	
OUTPUT	DC Output	24V	36V	48V	
	Rated Current	25A	16.7A	12.5A	
	Current Range	Note 1 0~25A	0~16.7A	0~12.5A	
	Ripple and Noise	0~70°C	<200mV	<150mV	<240mV
		Note 2 -20~0°C	<400mV	<240mV	<480mV
	Voltage ADJ. Range	23.5V-27.2V	35.1V-39.6V	46V-54V	
	Voltage Accuracy	±2.0%	±2.0%	±2.0%	
	Line Regulation	±0.5%	±0.5%	±0.5%	
	Load Regulation	±1.0%	±1.0%	±1.0%	
	Set-up Time	<2.0S (115Vac input, Full load); <1.5S (230Vac input, Full load)			
	Hold up Time	>10mS(230Vac input, Full load)			
	Temperature Coefficient	±0.03%/°C			
	Overshoot and Undershoot	<5.0%			
INPUT	Voltage Range	88Vac~264Vac			
	Frequency Range	47Hz~63Hz			
	Power Factor(Typical)	PF > 0.98/115VAC PF > 0.95/230VAC			
	Efficiency ( Typical) @230Vac	90%	91.5%	92%	
	AC Current (max.)	6.5A/115VAC ; 3.5A/230VAC			
	Inrush Current (Typical)	<15A/115Vac <30A/230Vac Cold start			
	Leakage Current	Input—output:<0.25mA Input—PG:<3.5mA			
PROTECTION	Over Load	110%~135% of rated output current, constant current limiting for 3S,then hiccup mode, auto recovery			
	Over Voltage	115%~135% of rated output voltage,constant voltage			
	Over Temperature	95°C+10°C(detect on heatsink of power transistor);shut down,auto recover after the temperature goes down			
	Fan ON/OFF Control	Output load>52% rating or inside temperature >55°C , FAN ON			
ENVIRONMENT	Operating amb. Temp. & Hum.	-20°C~70°C; 20%~90%RH No condensing(refer to the derating curve)			
	Storage Temp. & Hum.	-40°C~85°C; 10%~95%RH No condensing			
SAFETY&EMC Note 3	Safety Standards	UL60950-1; EN60950-1: 2006			
	Withstand Voltage	Primary-Secondary:3.0KVac; ≤10mA .Primary-PG:1.5KVac; ≤10mA. Secondary-PG:0.5KVDC; ≤10mA.			
	Isolation Resistance	≥100M ohms			
	EMI Conduction& Radiation	Compliance to EN55022, EN55024, FCC PART 15 CLASS B			
	Harmonic Current	Compliance to EN61000-3-2, CLASS D			
	EMS Immunity	Compliance to EN61000-4-2,3,4,5,6,8,11;heavy industry level			
OTHERS	MTBF (MIL-HDBK-217F)	More than 200,000Hrs (25°C , Full load)			
	Dimension (L*W*H)	170×120×83.5mm			
	Packing	6PCS/CTN, 12KGS, 0.04CBM			
	Cooling method	Cooling by forced air (built-in DC fan)			
NOTE	<p>1. All parameters NOT specially mentioned are measured at rated input, rated load and 25°C of ambient temperature.</p> <p>2. Measured at 20MHz of bandwidth by using a 12" twisted pair-wire terminated with a 0.1 uF &amp; 47uF parallel capacitor.</p> <p>3. The SPS is considered a component which will be installed into final equipment. The equipment must be re-confirmed that it still meets EMC directives.</p>				



■ **Block Diagram**



■ **Derating Curve**

