



Features:

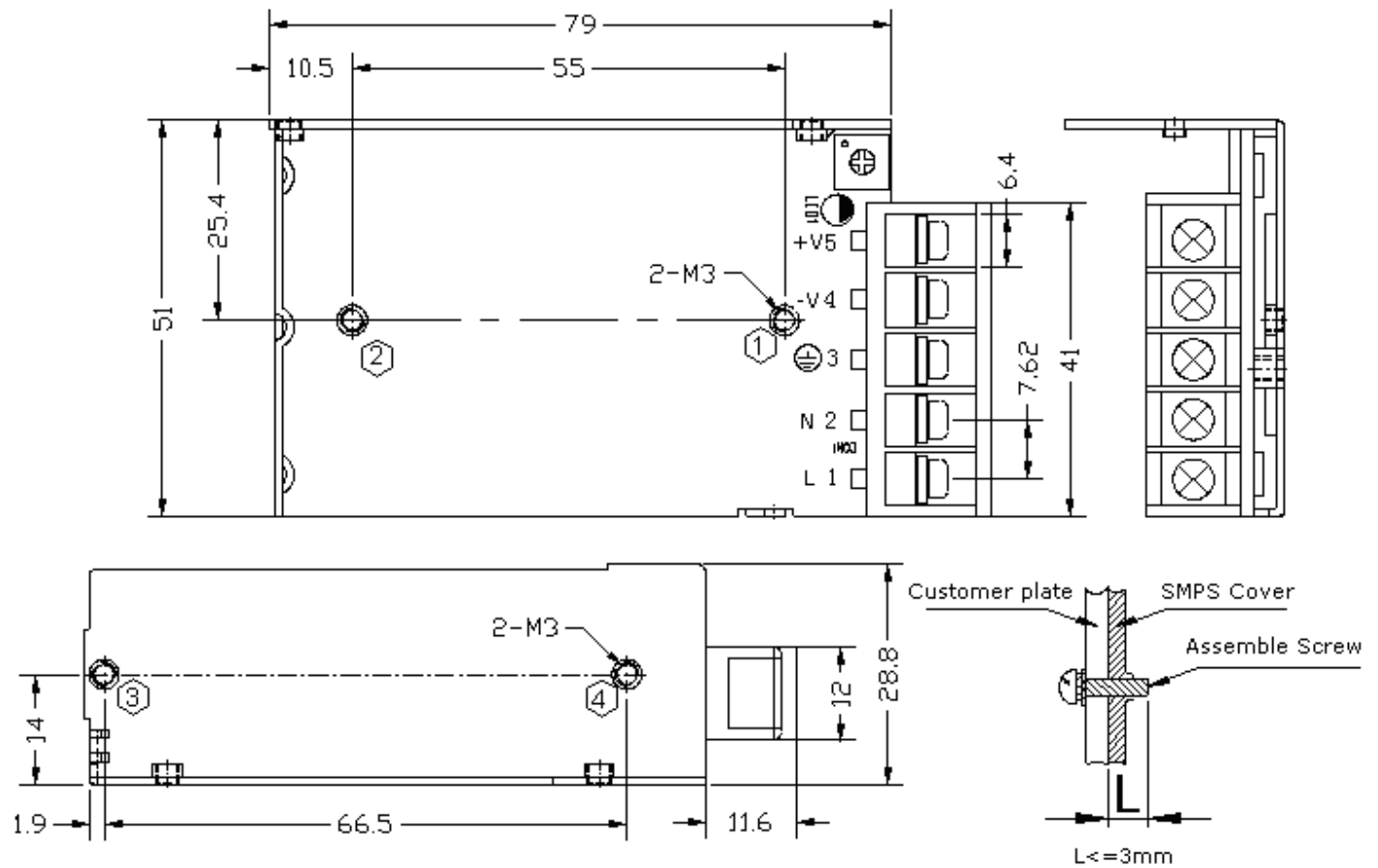
- No Load power consumption<0.5W
- Universal AC input range
- Miniature size,high power density,high efficiency,long life and high reliability
- Withstand 300VA surge input for 5 sec.
- Output protections: OLP/OVP/SCP
- **Wide operating ambient temp (-25°C~70°C), full load up to 70°C**
- All using 105°C long life electrolytic capacitors.
- 100% full load burn-in test
- **PCB soldering side with conformal coating**
- Suitable for critical applications
- 3 years warranty

SPECIFICATION

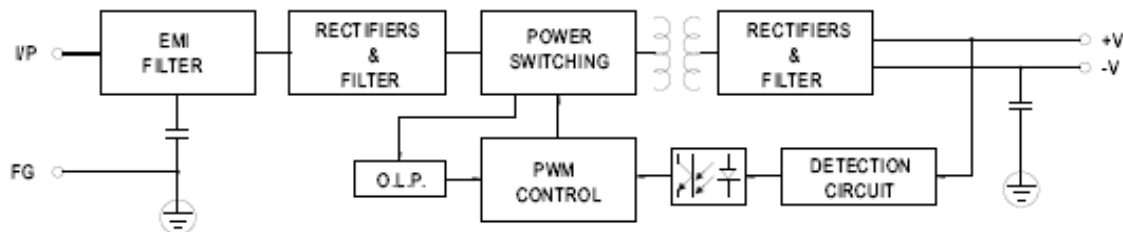
MODEL		MFPD-15-3.3	MFPD-15-5	MFPD-15-12	MFPD-15-15	MFPD-15-24	
OUTPUT	DC Output	3.3V	5V	12V	15V	24V	
	Rated Current	4A	3A	1.3A	1A	0.7A	
	Current Range	Note 1	0~4A	0~3A	0~1.3A	0~1.0A	0~0.7A
	Ripple and Noise	Note 2	-25~70°C	<50mV	<50mV	<120mV	<120mV
	Voltage ADJ. Range	-5%~+10% of rated output voltage					
	Voltage Accuracy		±2.0%	±2.0%	±1.0%	±1.0%	±1.0%
	Line Regulation		±0.5%	±0.5%	±0.5%	±0.5%	±0.5%
	Load Regulation		±2.0%	±2.0%	±1.0%	±1.0%	±1.0%
	Set-up Time	<2.0S (115Vac input, Full load); <1.0S (230Vac input, Full load)					
	Hold up Time	> 10mS(115Vac input, Full load); > 20mS(230Vac input, Full load)					
	Temperature Coefficient	±0.03%/°C					
Overshoot and Undershoot	<5.0%						
INPUT	Voltage Range	88Vac~264Vac,124~370Vdc					
	Frequency Range	47Hz~63Hz					
	Efficiency (Typical)	115Vac input	70%	76%	80%	82%	84%
		230Vac input	71%	78%	82%	83%	85%
	AC Current (max.)	0.7A	0.7A	0.7A	0.7A	0.7A	
	Inrush Current (Typical)	20A@115Vac	40A@230Vac	Cold start			
Leakage Current	Input—output:<0.25mA Input—PG:<3.5mA						
PROTECTION	Over Load	105%~150% of rated output current, Hiccup mode,auto recovery					
	Over Voltage	105%~150% of rated output voltage, Constant Voltage					
	Shorted Circuit	Long-term mode, auto recovery					
ENVIRONMENT	Operating amb. Temp. & Hum.	-25°C~70°C; 20%~90%RH No condensing					
	Storage Temp. & Hum.	-40~85°C 10%~95%RH No condensing					
SAFETY & EMC Note 3	Safety Standards	UL60950-1 2 nd Ed; IEC 60950-1:2005(2 nd Ed) ;EN60950-1:2006					
	Withstand Voltage	Primary-Secondary:3.0KVac; ≤10mA .Primary-PG:1.5KVac; ≤10mA. Secondary-PG:0.5KVDC; ≤10mA.					
	Isolation Resistance	≥100M ohms					
	EMC Emission	Compliance to EN55022,EN55024 ClassB					
	Harmonic Current	Compliance to EN61000-3-2,-3					
OTHERS	EMC Immunity	Compliance to EN61000-4-2,3,4,5,6,8,11;EN55024,EN61000-6-2 heavy industry level					
	MTBF (MIL-HDBK-217F)	More than 200,000Hrs (25°C(Full load)					
	Dimension (L*W*H)	79×51×28mm					
	Packing	48PCS/CTN, 10.4KGS, 0.03CBM					
NOTE	Cooling method	Cooling by free air convection					
		1. All parameters NOT specially mentioned are measured at rated input, rated load and 25°6f ambient temperature. 2. Measured at 20MHz of bandwidth by using a 12" twisted pair-wire terminated with a 0.1 uF & 10uF parallel capacitor. 3. The SPS is considered a component which will be installed into final equipment. The equipment must be re-confirmed that it still meets EMC directives. 4. MEGA offer accessories for Din-35 rail bar. Please contact sales staff for details.					

■ **Mechanical Specification**

Unit: mm



■ **Block Diagram**



■ **Derating Curve**

