



Features:

- Universal AC input/ Full range
- Built-in active PFC function, PF>0.95
- High Efficiency, and High reliability
- Output protections: OLP/OVP/SCP
- All using 105°C long life electrolytic capacitors.
- 100% full load burn-in test
- 3 years warranty

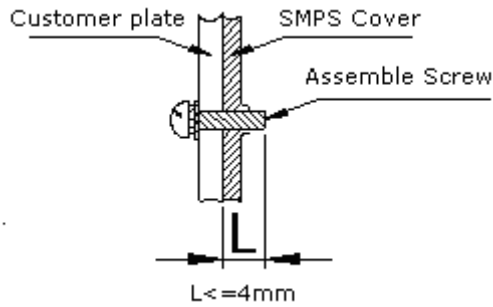
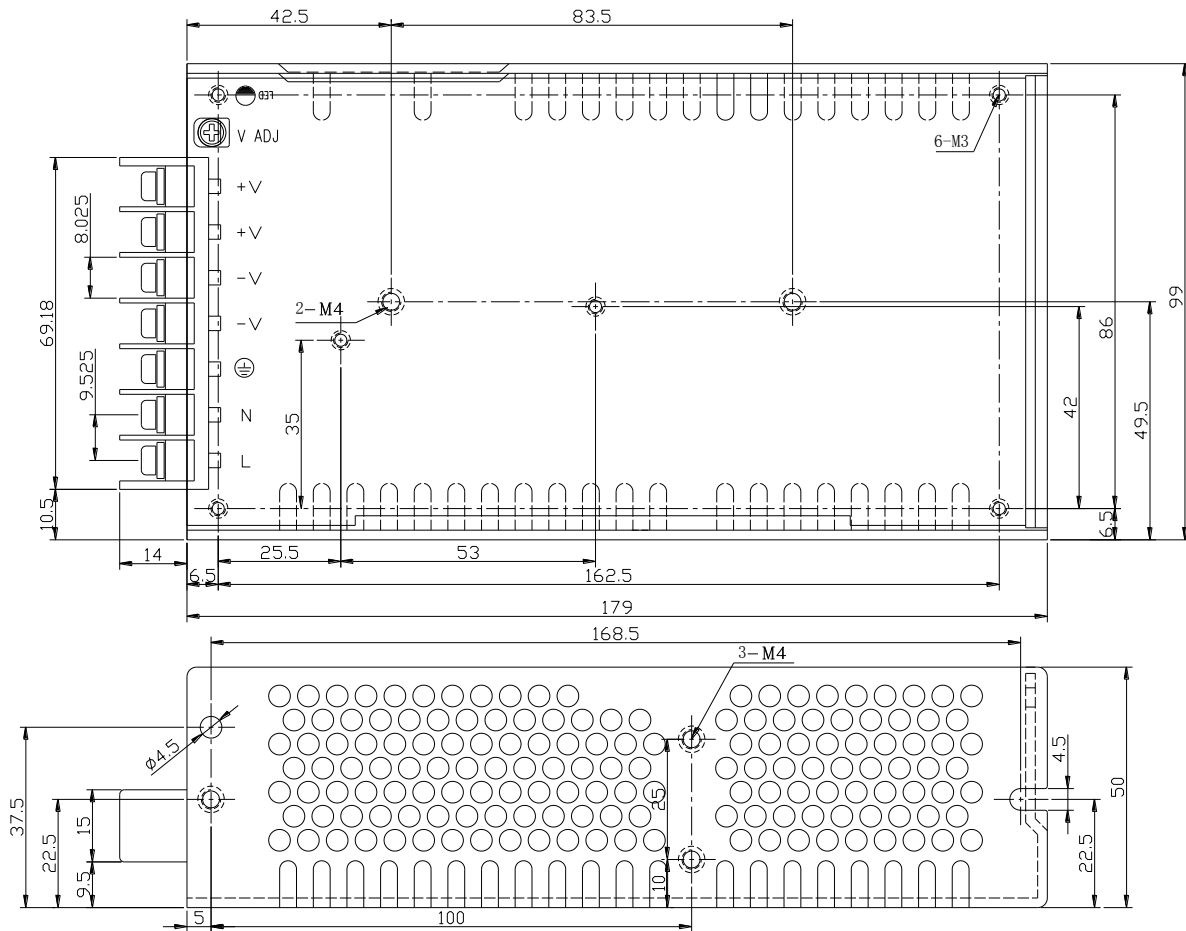


SPECIFICATION

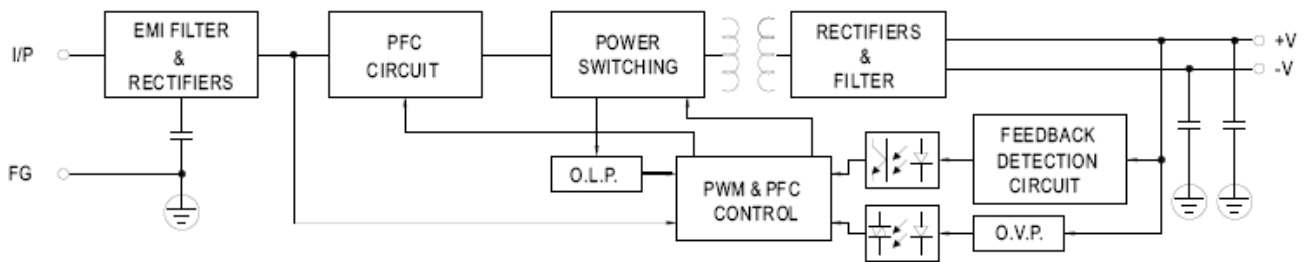
MODEL		MFPDF-100-5	MFPDF-100-12	MFPDF-100-15	MFPDF-100-24	MFPDF-150-36	MFPDF-100-48	
OUTPUT	DC Output	5.0V	12V	15V	24V	36V	48V	
	Rated Current	20A	8.5A	6.7A	4.2A	2.75A	2.1A	
	Current Range	0~20A	0~8.5A	0~6.7A	0~4.2A	0~2.75A	0~2.1A	
	Ripple and Noise	0~60°C	<50mV	<100mV	<100mV	<100mV	<100mV	<100mV
	Note 2	-10~0°C	<100mV	<100mV	<100mV	<100mV	<100mV	<100mV
	Voltage ADJ. Range	4.5V~5.5V	10.6V~13.6V	13.5V~17.0V	21.8V~27.4V	32.6V~39.9V	44V~52V	
	Voltage Accuracy		±2.0%	±2.0%	±2.0%	±1.0%	±1.0%	±1.0%
	Line Regulation		±0.5%	±0.5%	±0.5%	±0.5%	±0.5%	±0.5%
	Load Regulation		±1.0%	±1.0%	±1.0%	±1.0%	±1.0%	±1.0%
	Set-up Time		< 4.0S (115Vac input, Full load); < 2.0S (230Vac input, Full load)					
	Hold up Time		> 10mS(115Vac input, Full load); > 20mS(230Vac input, Full load)					
	Temperature Coefficient		±0.03%/°C					
Overshoot and Undershoot		<5.0%						
INPUT	Voltage Range	90Vac~264Vac, 127~370VDC						
	Frequency Range	47Hz~63Hz						
	Power Factor(Typical)	> 0.98@115VAC > 0.95@230VAC						
	Efficiency	115Vacinput	78%	84%	84%	84%	84%	86%
	(Typical)	230Vacinput	80%	86%	86%	86%	86%	87%
	AC Current (max.)		<1.7A					
	Inrush Current (Typical)		<30A@115Vac <50A@230Vac Cold start					
Leakage Current		Input—output:<0.25mA Input—PG:<3.5mA						
PROTECTION	Over Load	105%~150% of rated output current, hiccup mode, auto recovery						
	Over Voltage	110%~150% of rated output voltage, shut down						
	Short Circuit	Long-term mode, auto recovery						
ENVIRONMENT	Operating amb. Temp. & Hum.	-10°C ~60°C; 20%~90%RH No condensing(refer to the derating curve)						
	Storage Temp. & Hum.	-20°C ~85°C; 10%~95%RH No condensing						
SAFETY & EMC (Note 3)	Safety Standards	UL60950-1; EN60950-1: 2006						
	Withstand Voltage	Primary-Secondary:3.0kVac;≤10mA;Primary-PG:1.5kVac;≤10mA.Secondary-PG:0.5kVDC;≤10mA.						
	Isolation Resistance	≥100M ohms						
	EMI Conduction&Radiation	Compliance to EN55022(CISPR22)ClassB						
	Harmonic Current	Compliance to EN61000-3-2,17625.1-2003						
	EMS Immunity	Compliance to EN61000-4-2,3,4,5,6,8,11;ENV50204,light industry level,criteriaA						
OTHERS	MTBF (MIL-HDBK-217F)	More than 200,000Hrs (25°C, Full load)						
	Dimension (L*W*H)	194×99×50mm						
	Packing	10PCS/CTN, 8.1KGS, 0.04CBM						
	Cooling method	Cooling by free air convection						
NOTE	<ol style="list-style-type: none"> 1. All parameters NOT specially mentioned are measured at 230Vac input, rated load and 25°C of ambient temperature. 2. Measured at 20MHz of bandwidth by using a 12" twisted pair-wire terminated with a 0.1 uF & 47uF parallel capacitor. 3. The SPS is considered a component which will be installed into final equipment. The equipment must be re-confirmed that it still meets EMC directives. 							

Mechanical Specification

Unit: mm



Block Diagram



■ **Derating Curve**

