



Features:

- Universal AC input/ Full range
- Built-in active PFC function,PF>0.96
- Using ZVS technology to reduce power dissipation
- Built in Fan speed control and over temp.protection
- Built in AC inrush current limiting circuit(<20A)
- Built in constant current limiting circuit
- Built in Remote Sense Function
- Built in DC OK signal
- Wide operating ambient temperature (-30°C~70°C)
- Conformal coating at PCB both sides
- 1 U low profile,41mm
- 3 years warranty

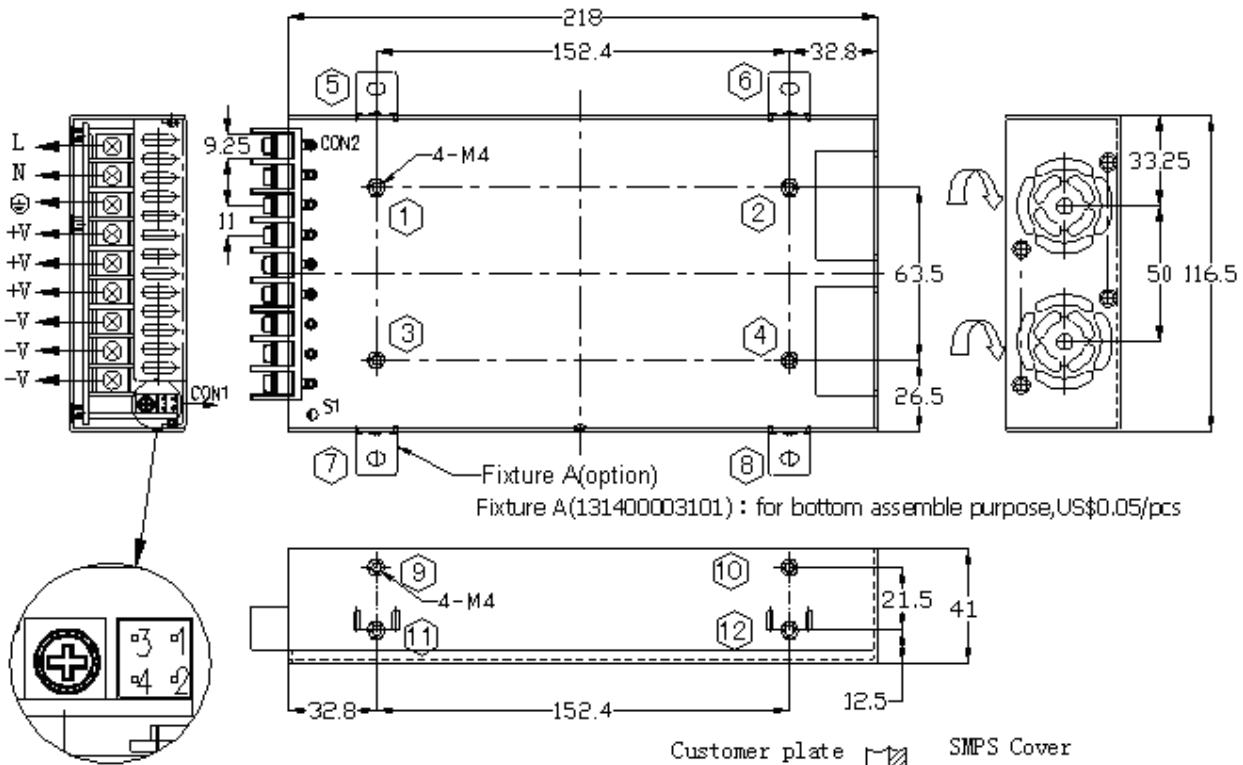
SPECIFICATION

MODEL	MFPDF-600-12	MFPDF-600-24	MFPDF-600-36	MFPDF-600-48		
OUTPUT	DC Output	12V	24V	36V	48V	
	Rated Current (100~127Vac)	34A	22A	14A	11A	
	Rated Current (128~264Vac)	42A	26.5A	17.5A	13.6A	
	Ripple and Noise	0-70%	120mV	150mV	150mV	200mV
		Note 2 -30%	180mV	150mV	150mV	200mV
	Voltage ADJ. Range	-5%~+10% of rated output voltage				
	Voltage Accuracy	±2.0%	±2.0%	±2.0%	±2.0%	
	Line Regulation	±0.5%	±0.5%	±0.5%	±0.2%	
	Load Regulation	±1.0%	±1.0%	±1.0%	±1.0%	
	Set-up Time	< 1.5S (230Vac input, Full load), < 3S (115Vac input, Full load)				
	Hold up Time	> 16mS/ (230Vac input, Full load)				
	Temperature Coefficient	±0.05%/°C				
	Overshoot and Undershoot	<5.0%				
INPUT	Voltage Range	90Vac~264Vac,				
	Frequency Range	47Hz~63Hz				
	Power Factor(Typical)	PF>0.98/115VAC		PF>0.96/230VAC		
	Efficiency (Typical)	88%	89%	90%	90%	
	AC Current (max.)	<9A				
	Inrush Current (Typical)	<20A@230Vac Cold start				
	Leakage Current	Input—output: ≤0.25mA		Input—PG: ≤3.5mA		
PROTECTION	Over Load	110%~135% of rated output current, constant current				
	Over Temperature	105°C +5°C (detect on Mosfet temperature);shut down,auto recovery after the temperature goes down to 75°C				
	Over Voltage	110%~150% of rated voltage; constant voltage				
	Short Circuit	Long-term mode, constant current, auto recovery				
ENVIRONMENT	Operating amb. Temp. & Hum.	-30~70; 20%~90%RH No condensing (refer to derating curve)				
	Storage Temp. & Hum.	-40~85; 10%~95%RH No condensing				
SAFETY & EMC (Note 3)	Safety Standards	UL60950-1 2nd Ed; IEC 60950-1:2005(2nd Ed) ;EN60950-1:2006				
	Withstand Voltage	Primary-Secondary:3.0KVac; ≤10mA .Primary-PG:1.5KVac; ≤10mA. Secondary-PG:0.5KVac;≤10mA.				
	Isolation Resistance	≥100M ohms				
	EMI Conduction&Radiation	Compliance to EN55022, CLASS B				
	Harmonic Current	Compliance to EN61000-3-2, class D				
OTHERS	EMS Immunity	Compliance to EN61000-4-2,3,4,5,6,8,11; heavy industry level				
	MTBF (MIL-HDBK-217F)	More than 200,000Hrs (25, Full load)				
	Dimension (L*W*H)	218×116.5×41mm (MFPDF-600-12 dimension is 226×116.5×41mm)				
	Packing	6PCS/CTN, 8.7KGS, 0.04CBM				
	Cooling method	Forced air cooling(Built-in fan)				

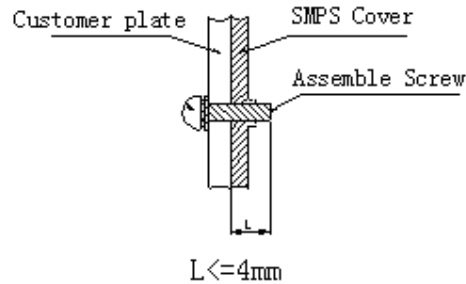
NOTE

1. All parameters NOT specially mentioned are measured at rated input, rated load and 25° of ambient temperature.
2. Measured at 20MHz of bandwidth by using a 12" twisted pair-wire terminated with a 0.1 uF & 47uF parallel capacitor.
3. The SPS is considered a component which will be installed into final equipment. The equipment must be re-confirmed that it still meets EMC directives.

Mechanical Specification Unit:mm



Position	Function
1	+S(Remote Sense)
2	-S(Remote Sense)
3	DC-OK
4	GND



Block Diagram

