

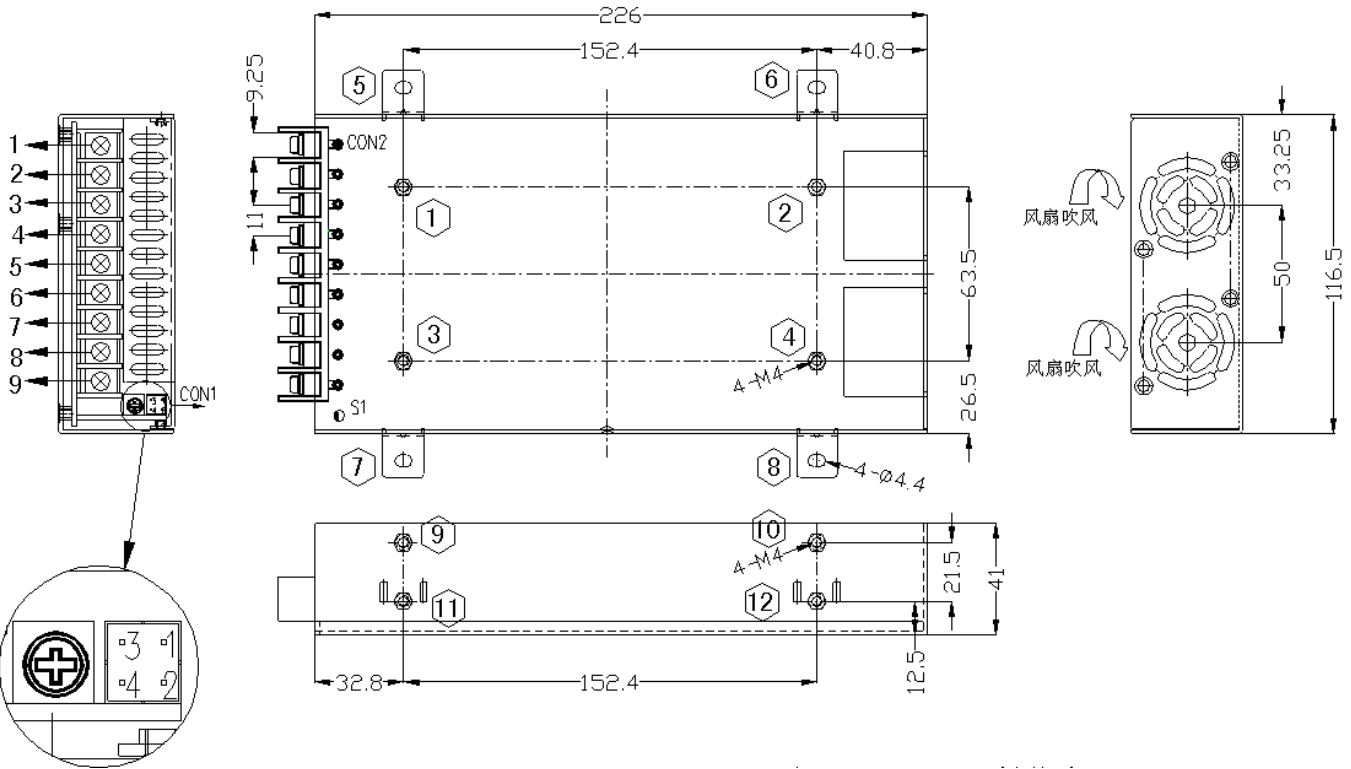


■ Features:

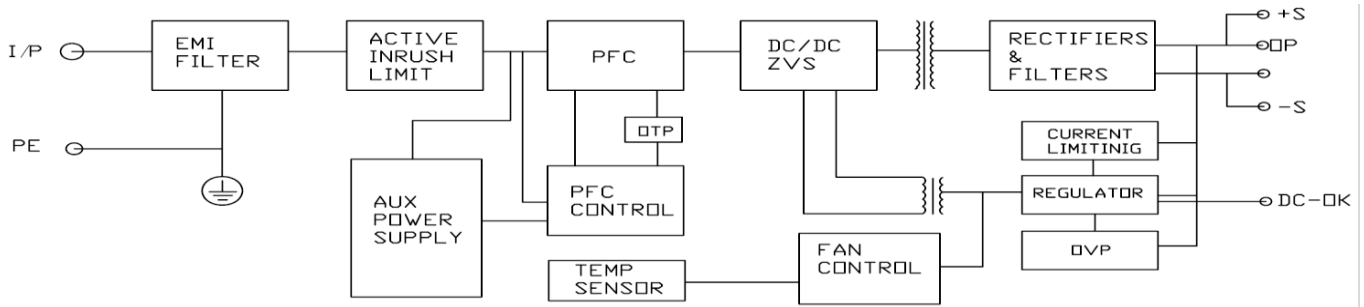
- Universal AC input/ Full range
- Built-in active PFC function, PF>0.96
- Using ZVS technology to reduce power dissipation
- Output protection: OVP/OLP/SCP/OPP/OTP
- Built in Fan speed control
- Built in AC inrush current limiting circuit(<20A)
- Build in constant current limiting circuit
- Built in Remote Sense Function
- Build in DC OK signal
- Wide operating ambient temperature (-30°C~70°C)
- 1 U low profile,41mm
- 3 years warranty

MODEL		MFPDF-800-24	MFPDF-800-48	
OUTPUT	DC Output	24V	48V	
	Rated Current (100~127Vac)	27A	14A	
	Rated Current (128~264Vac)	33A	16.5A	
	Ripple and Noise Note 2	≤200mV	≤240mV	
	Voltage ADJ. Range	-5%~+10% of rated output voltage		
	Voltage Accuracy	±2%		
	Line Regulation	±0.5%		
	Load Regulation	±2%		
	Set-up Time	≤3S (220Vac input, Full load)		
	Hold up Time	≥8mS (220Vac input, Full load)		
	Temperature Coefficient	±0.03%/°C		
INPUT	Overshoot and Undershoot	<5.0%		
	Voltage Range	90Vac~264Vac, 127Vdc~370Vdc		
	Frequency Range	47Hz~63Hz		
	Power Factor(Typical)	PF ≥0.96/230VAC	PF ≥0.98/115VAC	Full Load
	Efficiency (Typical)	≥88%		≥89%
	AC Current (max.)	≤ 12 A		
	Inrush Current (Typical)	≤20A @220Vac Cold start		
PROTECTION	Leakage Current	Input—output: ≤0.25mA Input—PG: ≤3.5mA		
	Over Load	110%~135% of rated output current, constant current, auto recovery		
	Over power	110%~135% of rated output power, constant current, auto recovery		
	Over Temperature	105°C+5°C (detect on Mosfet temperature);shut down, auto recovery after the temperature goes down to 70°C		
	Over Voltage	110%~150% of rated output voltage, constant voltage, auto recovery		
	Short Circuit	Long-term mode, constant current, auto recovery		
ENVIRONMENT	Operating amb. Temp. & Hum.	-30°C ~70°C; 20%~90%RH No condensing (refer to derating curve)		
	Storage Temp. & Hum.	-40°C ~85°C; 10%~95%RH No condensing		
SAFETY & EMC (Note 3)	Safety Standards	UL60950-1 2nd Ed; IEC 60950-1:2005(2nd Ed) ;EN60950-1:2006		
	Withstand Voltage	Primary-Secondary:3.0KVac; ≤10mA .Primary-PG:1.5KVac; ≤10mA. Secondary-PG:0.5KVac;≤10mA.		
	Isolation Resistance	≥ 100M ohms		
	EMI Conduction&Radiation	Compliance to EN55022, Class B		
	Harmonic Current	Compliance to EN61000-3-2,Class D		
	EMS Immunity	Compliance to EN61000-4-2,3,4,5,6,8,11; heavy industry level		
OTHERS	MTBF (MIL-HDBK-217F)	More than 200,000Hrs (25°C, Full load)		
	Dimension (L*W*H)	226×116.5×41mm		
	Packing	6PCS/CTN, 8.9KGS, 0.04CBM		
	Cooling method	Forced air cooling(Built-in fan,the fan speed is controlled by load and internal temp.)		
NOTE	<ol style="list-style-type: none"> 1. All parameters NOT specially mentioned are measured at rated input, rated load and 25°C of ambient temperature. 2. Measured at 20MHz of bandwidth by using a 12" twisted pair-wire terminated with a 0.1 uF & 47uF parallel capacitor. 3. The SPS is considered a component which will be installed into final equipment. The equipment must be re-confirmed that it still meets EMC directives. 			

■ **Mechanical Specification** Unit:mm



■ **Block Diagram**



■ **Derating curve**

