



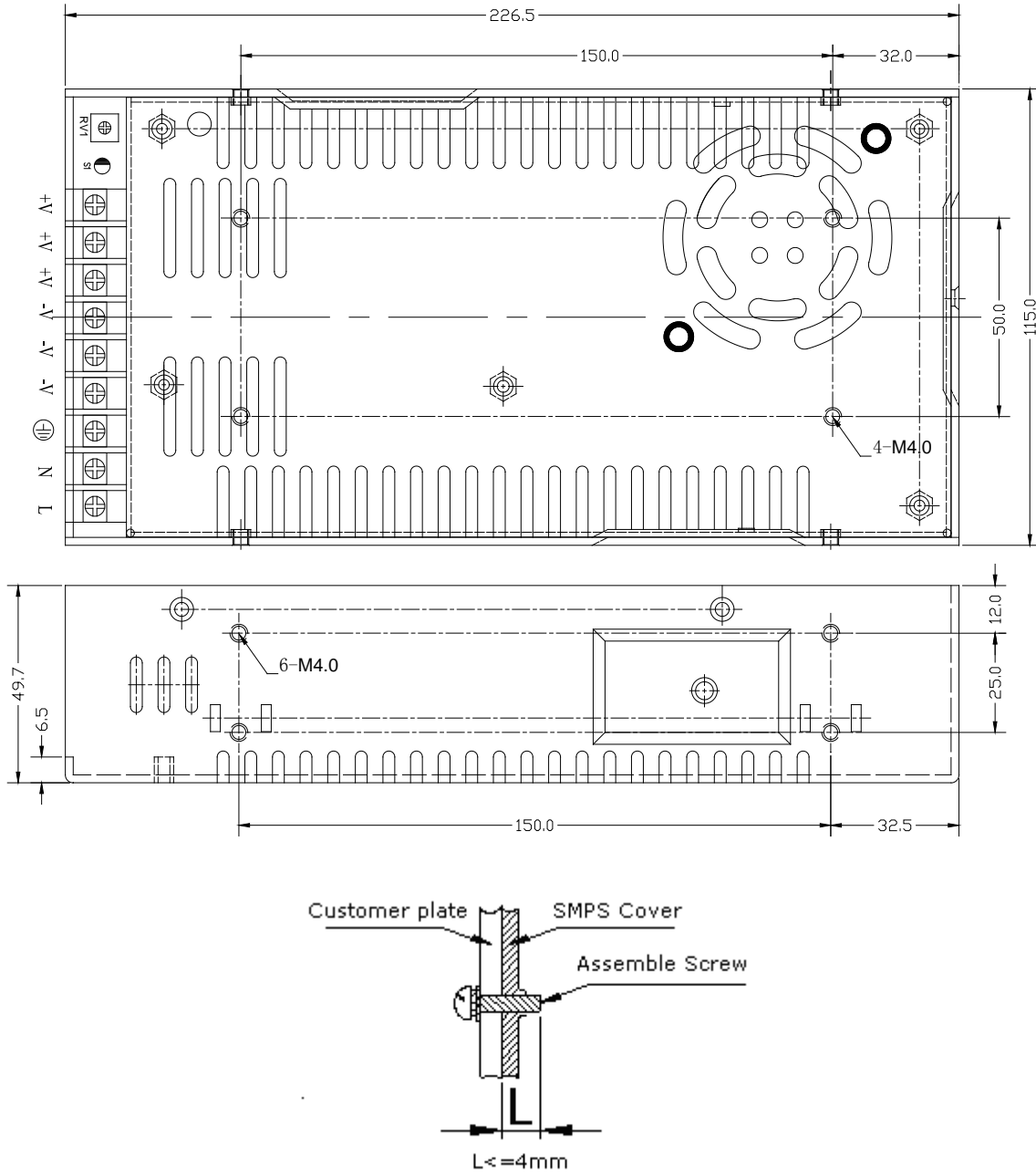
Features:

- Universal AC input/ Full range
- Built-in active PFC function, PF>0.95
- High Efficiency, and High Reliability
- Output protections: OLP/OTP/OVP/SCP
- Wide operating ambient temperature (-20°C ~65°C)
- All using 105°C long life electrolytic capacitors.
- PCB soldering side with conformal coating
- 100% full load burn-in test
- 3 years warranty

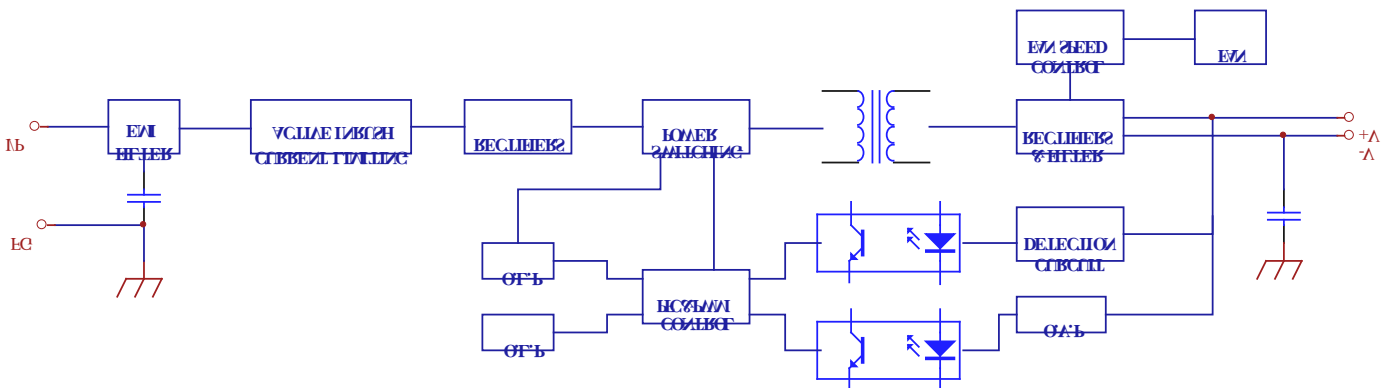
SPECIFICATION

MODEL		MFPDF-320-3.3	MFPDF-320-4	MFPDF-320-5	MFPDF-320-7.5	MFPDF-320-12	MFPDF-320-24	MFPDF-320-28	MFPDF-320-36	MFPDF-320-48	
OUTPUT	DC Output	3.3V	4V	5.0V	7.5V	12V	24V	28V	36V	48V	
	Rated Current	60A	60A	60A	40A	25A	13A	11A	8.8A	6.7A	
	Current Range	0-60A	0-60A	0-60A	0-40A	0-25A	0-13A	0-11A	0-8.8A	0-6.7A	
	Ripple and Noise	0-65°C	<150mV	<150mV	<150mV	<150mV	<150mV	<150mV	<150mV	<200mV	<240mV
		-20-0°C	<180mV	<180mV	<180mV	<180mV	<180mV	<180mV	<180mV	<200mV	<240mV
	Voltage ADJ. Range	3.1-3.6V	3.7-4.3V	4.4-5.3V	6.6-8.4V	10.5-13.3V	19.7-26.4V	25.7-30.4V	33.2-38.4V	41.5-53.1V	
	Voltage Accuracy	±2.0%	±2.0%	±2.0%	±2.0%	±1.0%	±1.0%	±1.0%	±1.0%	±1.0%	
	Line Regulation	±0.5%	±0.5%	±0.5%	±0.5%	±0.3%	±0.2%	±0.2%	±0.2%	±0.2%	
	Load Regulation	±1.0%	±1.0%	±1.0%	±1.0%	±0.5%	±0.5%	±0.5%	±0.5%	±0.5%	
	Set-up Time	<1.2S (230Vac input, Full load), <2.5S (115Vac input, Full load)									
Hold up Time	3.3V/4V/5V > 14mS 7.5V/12V/24V/28V/36V/48V > 16mS/ (230Vac input, Full load)										
Temperature Coefficient	±0.03%/°C										
Overshoot and	<5.0%										
INPUT	Voltage Range	88Vac-264Vac, 124Vdc-370Vdc									
	Frequency Range	47Hz-63Hz									
	Power Factor(Typical)	PF > 0.98@115VAC PF > 0.95@230VAC									
	Efficiency (Typical)	115Vacin	72%	73%	73%	77%	78%	79%	79%	80%	81%
		230Vacin	77%	78%	79%	83%	86%	87%	87%	87%	88%
	AC Current (max.)	4.0A									
	Inrush Current (Typical)	<50A@230Vac <30A@115Vac Cold start									
Leakage Current	Input-output: ≤0.1mA Input-PG: ≤0.75mA										
PROTECTION	Over Load	105%-135% of rated output current, hiccup mode, auto recovery									
	Over Temperature	85°C±5°C (detect on heatsink of power transistor); shut down, auto recovery after the temperature goes down									
	Over Voltage	110%-150% of rated voltage; hiccup mode, auto recovery									
	Short Circuit	Long-term mode, auto recovery									
ENVIRONMENT	Operating amb. Temp. & Hum.	-20°C-65°C; 20%-90%RH No condensing (refer to the derating curve)									
	Storage Temp. & Hum.	-40°C ~85°C; 10%-95%RH No condensing									
SAFETY & EMC (Note 3)	Safety Standards	UL60950-1; EN60950-1: 2006									
	Withstand Voltage	Primary-Secondary:3.0KVac; ≤10mA .Primary-PG:1.5KVac; ≤10mA. Secondary-PG:0.5KVac; ≤10mA.									
	Isolation Resistance	≥100M ohms									
	EMI	Compliance to EN55022(CISPR22)ClassB									
	Harmonic Current	Compliance to EN61000-3-2,17625.1-2003									
	EMS Immunity	Compliance to EN61000-4-2,3,4,5,6,8,11;ENV50204,light industry level, criteria A									
OTHERS	MTBF	More than 300,000Hrs (25°C, Full load)									
	Dimension (L*W*H)	226.5×115×50mm									
	Packing	10PCS/CTN, 11.6KGS, 0.04CBM									
	Cooling method	Forced air cooling(Built-in fan)									
NOTE	<ol style="list-style-type: none"> All parameters NOT specially mentioned are measured at 230Vac input, rated load and 25°C of ambient temperature. Measured at 20MHz of bandwidth by using a 12" twisted pair-wire terminated with a 0.1 uF & 47uF parallel capacitor. The SPS is considered a component which will be installed into final equipment. The equipment must be re-confirmed that it still meets EMC directives. 										

■ **Mechanical Specification** Unit:mm



■ **Block Diagram**



■ Derating Curve

