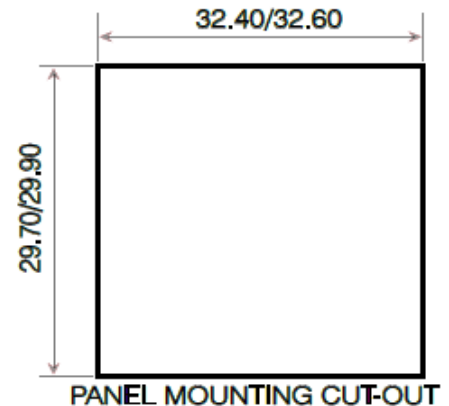
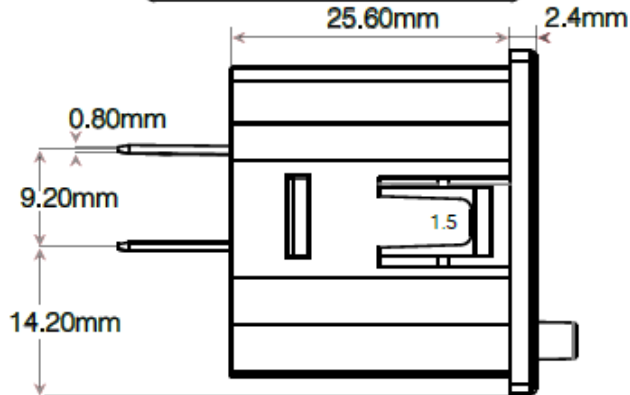
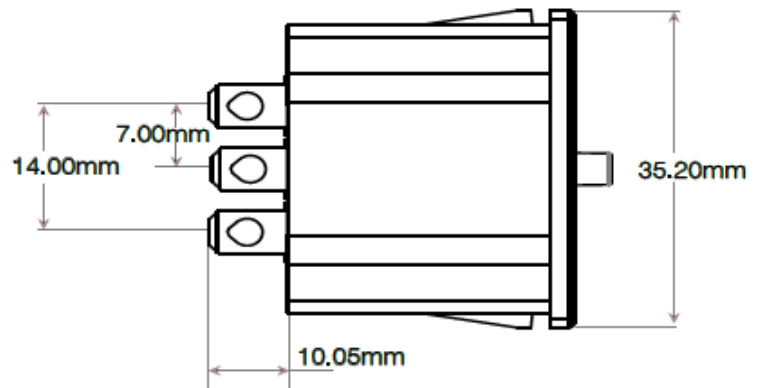
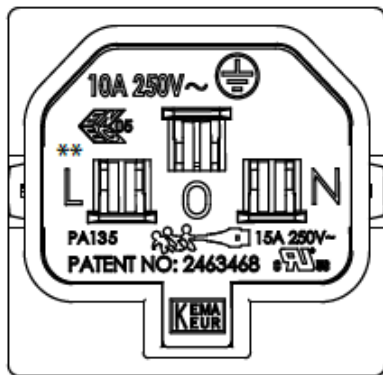
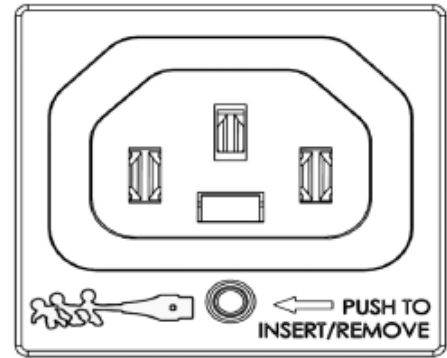


SPECIFICATION SHEET

**Product Range**

**6.3mm Wide Terminal Type**

<b>PA135010**</b>	C13 Appliance Outlet, 6.3 Terminal, 1.0mm Panel Thickness
<b>PA135012**</b>	C13 Appliance Outlet, 6.3 Terminal, 1.2mm Panel Thickness
<b>PA135015**</b>	C13 Appliance Outlet, 6.3 Terminal, 1.5mm Panel Thickness



## Technical Specification

### IEC Appliance Outlets

<b>Rating</b>	10A/250V AC	
<b>Insulation Resistance</b>	10Ω (500V DC, 1 Min)	
<b>Dielectric Strength</b>	2KV (50Hz 1Min) to accessible surfaces	
<b>Lock Retention</b>	>100N	
<b>Materials</b>	Face	Polyamide 66 (PA66) - To RAL Colour 9004 (Signal Black) Gloss Finish
	Back Cover	Polyamide 66 (PA66) - To RAL Colour 9004 (Signal Black) Gloss Finish
	Contacts	Tin Plated Copper Alloy (CuSn5 PB102 1/2 Hard Phosphor Bronze)
	Push Button	Polyamide 6 - To Ral Colour 3020 (Traffic Red)
	Spring	Steel (Zinc Plated, Clear Passivate and de-embrittle)
	Locking Tab	Plated Steel (CS70 harden to vickers 430/500) Nickel Plate 2-4 Microns

### Standards & Approvals

<b>Standards</b>	IEC / EN 60320-1:2001 + A1: 2007, IEC / EN 60320-2-2:1998	
	UL 498	
	CSA C22.2 No 182.3-M1987	

### Approvals

