



■ **Features:**

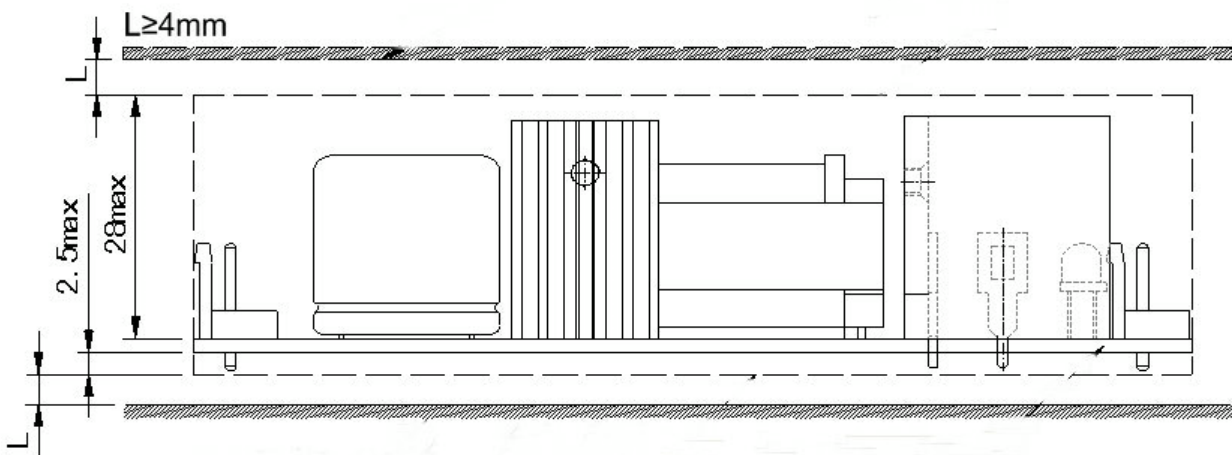
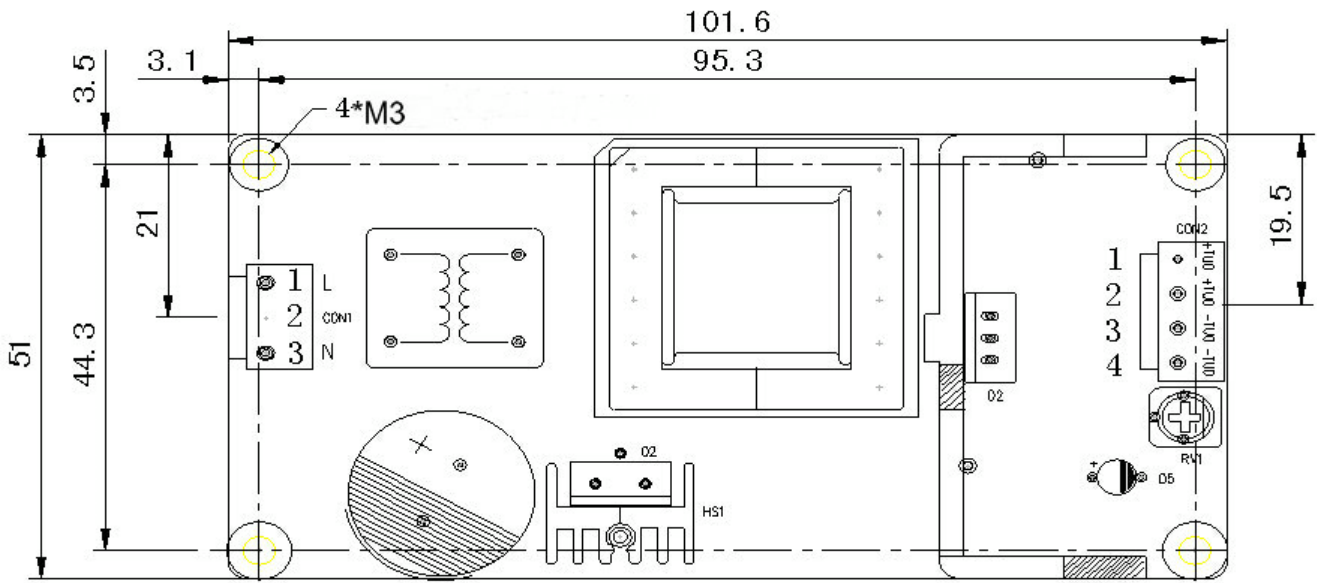
- Universal AC input/ Full range (90~264Vac)
- High Efficiency, long life and high reliability
- Output protections: SCP/OVP/ OLP/OPP
- Wide operating ambient temperature (-10°C ~60°C)
- All using 105°C long life electrolytic capacitors.
- 100% full load burn-in test
- 3 year warranty

SPECIFICATION

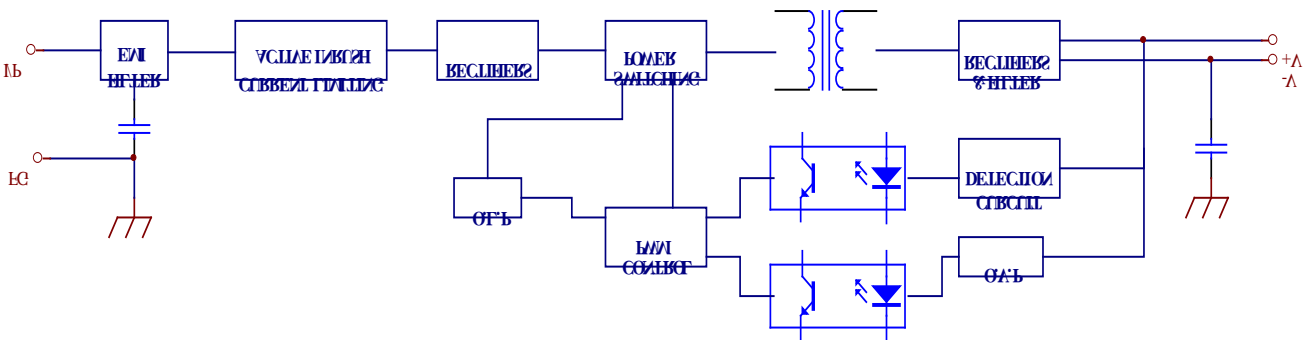
MODEL		MFPS-45-S12	MFPS-45-S24	MFPS-45-S48	
OUTPUT	DC Output	12V	24V	48V	
	Rated Current	3.7A	1.9A	1A	
	Ripple and Noise	0~60°C	≤120mV	≤120mV	≤120mV
		Note 2 -10°C ~0°C	≤200mV	≤200mV	≤200mV
	Voltage ADJ. Range	11.4~13.2V	22.8~26.4V	45.6~52.8V	
	Voltage Accuracy	±3.0%			
	Line Regulation	±1.0%			
	Load Regulation	±3.0%			
	Set-up Time	≤0.8S @ 230Vac full load			
	Hold up Time	≥60mS @ 230Vac full load			
	Temperature Coefficient	±0.05%/°C			
Overshoot and Undershoot	<5.0%				
INPUT	Voltage Range Note 3	90Vac~264Vac			
	Frequency Range	47Hz-63Hz			
	Efficiency (Typical)	220Vac input ≥82%	≥85%	≥86%	
	AC Current (max.)	<1A (115VAC) <0.6A (230VAC)			
	Inrush Current (Typical)	<20A@115Vac <45A@230Vac Cold start			
Leakage Current	Input to Output: ≤ 0.25mA ; Input to PG: ≤ 3.5mA				
PROTECTION	Over Load	3.9~6.2A	2.0~3.2A	1.1~1.56A	
		Protection type: Hiccup mode, auto recovery			
	Over Voltage	13.8~16.2V	27.6~32.4V	55.2~64.8V	
		Protection type: Constant voltage, Auto recovery			
Over Power	46.8~75W	48~75W	53~75W		
	Protection type: Hiccup mode, auto recovery				
Shorted Circuit	Long-term mode, auto recovery				
ENVIRONMENT	Operating amb. Temp. & Hum.	-10°C~60°C; 20%~90%RH No condensing (refer to the derating curve)			
	Storage Temp. & Hum.	-25°C ~85°C; 10%~95%RH No condensing			
SAFETY & EMC (Note 4)	Safety Standards	UL60950-1; EN60950-1: 2006			
	Withstand Voltage	Input-Output:3.0KVac/10mA ; Output-PG: 1.5KVac/10mA;Output-PG: 0.5KVdc/10mA			
	Isolation Resistance	≥100M ohms			
	EMI Conduction&Radiation	Compliance to EN55022 Class B			
	EMS Immunity	Compliance to EN61000-4-2,3,4,5,6,8,11; heavy industry level			
OTHERS	MTBF (MIL-HDBK-217F)	More than 200,000Hrs (25°C, Full load)			
	Dimension (L*W*H)	101.6×51×28mm			
	Packing	60PCS/CTN, 11KGS, 0.024CBM			
	Cooling method	Cooling by free air convection			
NOTE	1. All parameters NOT specially mentioned are measured at rated input, rated load and 25°C of ambient temperature. 2. Measured at 20MHz of bandwidth by using a 12" twisted pair-wire terminated with a 0.1 uF & 10uF parallel capacitor. 3. The SPS is considered a component which will be installed into final equipment. The equipment must be re-confirmed that it still meets EMC directives.				

Mechanical Specification

Unit: mm



Block Diagram



■ Derating Curve

