


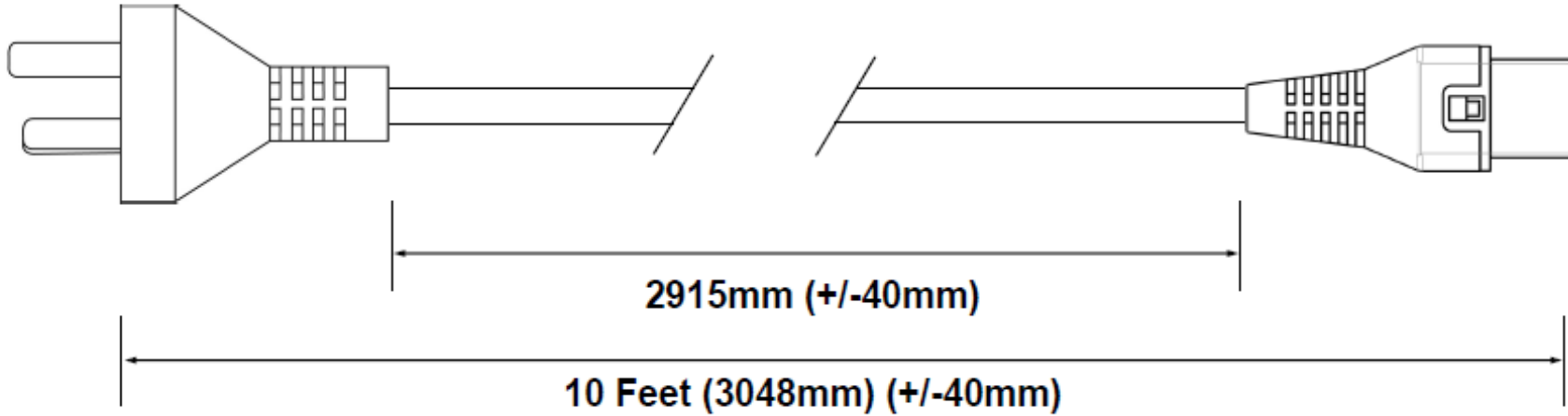


**Conductor Colour Codes:**

Earth (Green & Yellow)   
 Neutral (Blue)   
 Live (Brown) 



Packaging: Figure 8 and twist tie

**Notes:**

1. Plug: GB-2099.1-2008 (CCC)
2. Cordage: RVV3x1.0mm<sup>2</sup> (CCC)
3. Connector: IEC C13 Locking (CCC)
4. Rating: 10A/250V
5. Color Code: Brown, Blue, Yellow/Green
6. Jacket Color: Black

A	Drawing Release	1/28/25
REV	Description	Date



4B Jules Lane  
 New Brunswick, NJ 08901  
 Tel. 732-249-2656  
 www.megaelectronics.com

**Proprietary Notice:**

This document is the property of MEGA Electronics, Inc. The information contained herein is not to be disclosed to anyone without the express written consent of MEGA Electronics.

Customer P/N

RoHS Compliant

Item Description: Chinese power cord to C13 lock, 10ft

Approved: MS

Drawn By: GF

Date: 12/7/20

Part Number: 196-L3.1